

JC3M2 Series NEW

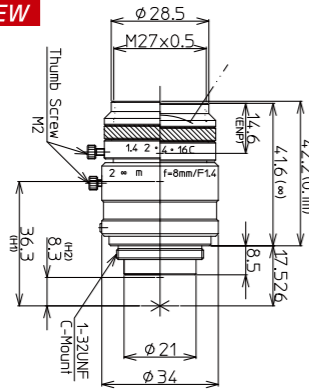
High Resolution FA/MV Lenses

Features of XC Series

- ▶ Kowa's wide-band multi-coating effectively decreases glare and refraction and produces a high transmission from the visible to NIR wavelength range.
- ▶ Kowa's floating mechanism system virtually eliminates optical aberrations from close distance to infinity.
- ▶ Low distortion *Except for LM8JC3M2 and LM12JC3M2
- ▶ Excellent corner brightness
- ▶ Applicable on 1/1.2" as well *Except for LM8JC3M2



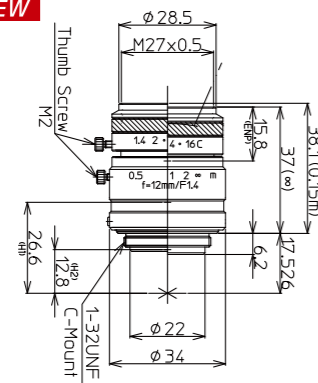
LM8JC3M2 NEW



Model	LM8JC3M2
Focal Length(mm)	8
Image Size(mm)	8.8×6.6(Φ11)
Iris Range(F-stop)	F1.4~Close
Focusing Range(m)	0.1~∞
Control Iris	Manual
Focus	Manual
Shooting Range at M.O.D.(mm)	120.3(H)×90.0(V)
Angle of 2/3 Inch	56.5×43.9
View 1/1.8 Inch	47.4×36.3
(Degrees) 1/2 Inch	42.6×32.5
TV Distortion(%)	-0.6
Back Focus in Air(mm)	9.5
Mount	C-mount
Filter Thread(mm)	M27×P0.5
Size(mm)	Φ34×41.6
Weight(g)	90
Temperature Range	-10°C~+50°C

2/3" 1/1.8" 1/2" 8mm **FIXED** **3MEGA** **C-mt** **METAL**
Fixed Focal Megapixel C-mount Metal Body

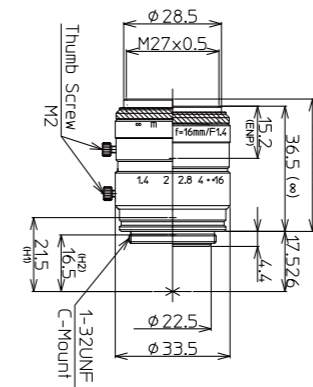
LM12JC3M2 NEW



Model	LM12JC3M2
Focal Length(mm)	12
Image Size(mm)	8.8×6.6(Φ11)
Iris Range(F-stop)	F1.4~Close
Focusing Range(m)	0.15~∞
Control Iris	Manual
Focus	Manual
Shooting Range at M.O.D.(mm)	110.0(H)×82.5(V)
Angle of 2/3 Inch	38.3×29.1
View 1/1.8 Inch	31.7×24.0
(Degrees) 1/2 Inch	28.3×21.4
TV Distortion(%)	-0.07
Back Focus in Air(mm)	11.7
Mount	C-mount
Filter Thread(mm)	M27×P0.5
Size(mm)	Φ34×37
Weight(g)	85
Temperature Range	-10°C~+50°C

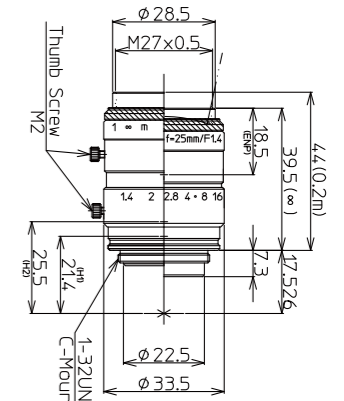
2/3" 1/1.8" 1/2" 12mm **FIXED** **3MEGA** **C-mt** **METAL**
Fixed Focal Megapixel C-mount Metal Body

LM16JC3M2 NEW



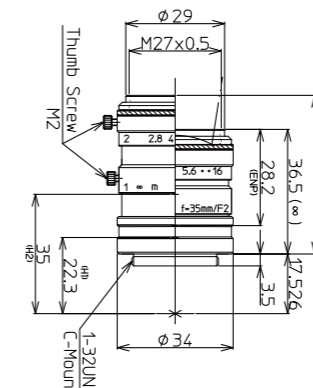
2/3" 1/1.8" 1/2" 16mm **FIXED** **3MEGA** **C-mt** **METAL** **FLOAT**
Fixed Focal Megapixel C-mount Metal Body Floating

LM25JC3M2 NEW



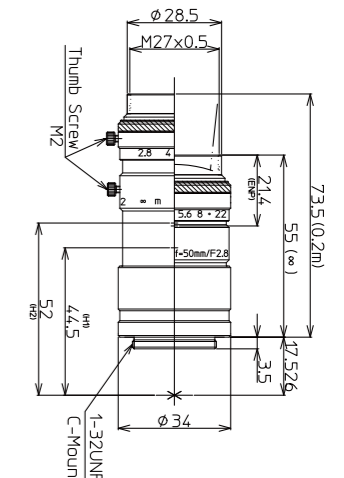
2/3" 1/1.8" 1/2" 25mm **FIXED** **3MEGA** **C-mt** **METAL** **FLOAT**
Fixed Focal Megapixel C-mount Metal Body Floating

LM35JC3M2 NEW



2/3" 1/1.8" 1/2" 35mm **FIXED** **3MEGA** **C-mt** **METAL** **FLOAT**
Fixed Focal Megapixel C-mount Metal Body Floating

LM50JC3M2 NEW



2/3" 1/1.8" 1/2" 50mm **FIXED** **3MEGA** **C-mt** **METAL** **FLOAT**
Fixed Focal Megapixel C-mount Metal Body Floating

Model	LM16JC3M2	LM25JC3M2	LM35JC3M2	LM50JC3M2
Focal Length(mm)	16	25	35	50
Image Size(mm)	8.8×6.6(Φ11)	8.8×6.6(Φ11)	8.8×6.6(Φ11)	8.8×6.6(Φ11)
Iris Range(F-stop)	F1.4~F16	F1.4~F16	F2.0~F16	F2.8~F22
Focusing Range(m)	0.2~∞	0.2~∞	0.2~∞	0.2~∞
Control Iris	Manual	Manual	Manual	Manual
Focus	Manual	Manual	Manual	Manual
Shooting Range at M.O.D.(mm)	112.8(H)×84.4(V)	71.1(H)×53.3(V)	47.9(H)×35.8(V)	29.3(H)×21.9(V)
Angle of 2/3 Inch	30.0×22.7	19.6×14.8	14.4×10.8	9.6×7.2
View 1/1.8 Inch	24.7×18.6	16.1×12.1	11.8×8.8	7.9×5.9
(Degrees) 1/2 Inch	21.8×16.4	14.0×10.5	10.5×7.9	7.0×5.2
TV Distortion(%)	-0.05	-0.04	-0.2	-0.03
Back Focus in Air(mm)	13.1	11.7	20.1	35.5
Mount	C-mount	C-mount	C-mount	C-mount
Filter Thread(mm)	M27×P0.5	M27×P0.5	M27×P0.5	M27×P0.5
Size(mm)	Φ33.5×36.5	Φ33.5×39.5	Φ34×36.5	Φ34×55
Weight(g)	85	90	90	95
Temperature Range	-10°C~+50°C	-10°C~+50°C	-10°C~+50°C	-10°C~+50°C

† Images may differ from the actual product.

† Images may differ from the actual product.