

# Manta

## G-507



- Latest Sony CMOS sensor
- PoE option
- Angled head and board level variants
- Video-iris lens control

## Description

GigE Vision camera featuring the Sony IMX264 sensor, global shutter

Manta G-507B/G-507C is an industrial camera with the high quality Sony IMX264 Pregius series CMOS global shutter sensor. This camera is offered with several modular options.

Options:

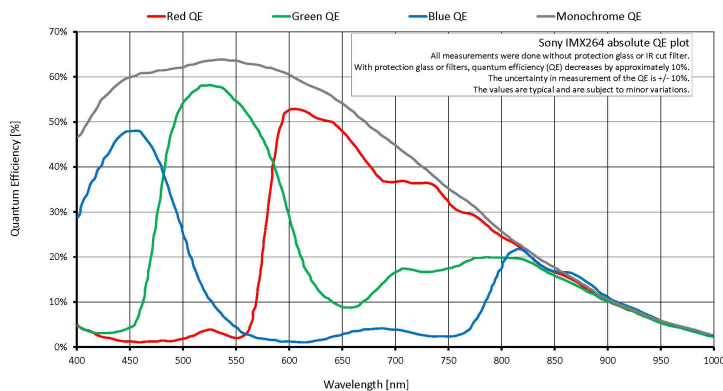
- Power over Ethernet (PoE)
- Various optical filters and lens mounts
- Angled head, board level variants, white medical housing

See the [Modular Concept](#) for lens mount, housing variants, optical filters, case design, and other modular options.

## Specifications

Manta	G-507
Interface	IEEE 802.3 1000BASE-T, IEEE 802.3af (PoE) optional
Resolution	2464 (H) × 2056 (V)
Sensor	Sony IMX264
Sensor type	CMOS Progressive
Cell size	3.45 μm x 3.45 μm
Lens mount	C-Mount
Max frame rate at full resolution	23.7 fps
ADC	12 bit
Image buffer (RAM)	128 MByte
Non-volatile memory (Flash)	1024 KByte

Manta	G-507
	<b>Output</b>
Bit depth	8-12 bit
Mono modes	Mono8, Mono12Packed, Mono12
Color modes YUV	YUV411Packed, YUV422Packed, YUV444Packed
Color modes RGB	RGB8Packed, BGR8Packed
Raw modes	BayerRG8, BayerRG12
<b>General purpose inputs/outputs (GPIOs)</b>	
Opto-isolated I/Os	2 inputs, 2 outputs
RS-232	1
<b>Operating conditions/dimensions</b>	
Operating temperature	+5 °C to +45 °C ambient (without condensation)
Power requirements (DC)	8 to 30 VDC; PoE
Power consumption (@12 V)	2.7 W @ 12 VDC; 3.1 W PoE
Mass	190 g; 200 g (PoE)
Body dimensions (L × W × H in mm)	86.4 × 44 × 29 (including connectors)
Regulations	CE, RoHS, REACH, WEEE, FCC, ICES



## Features

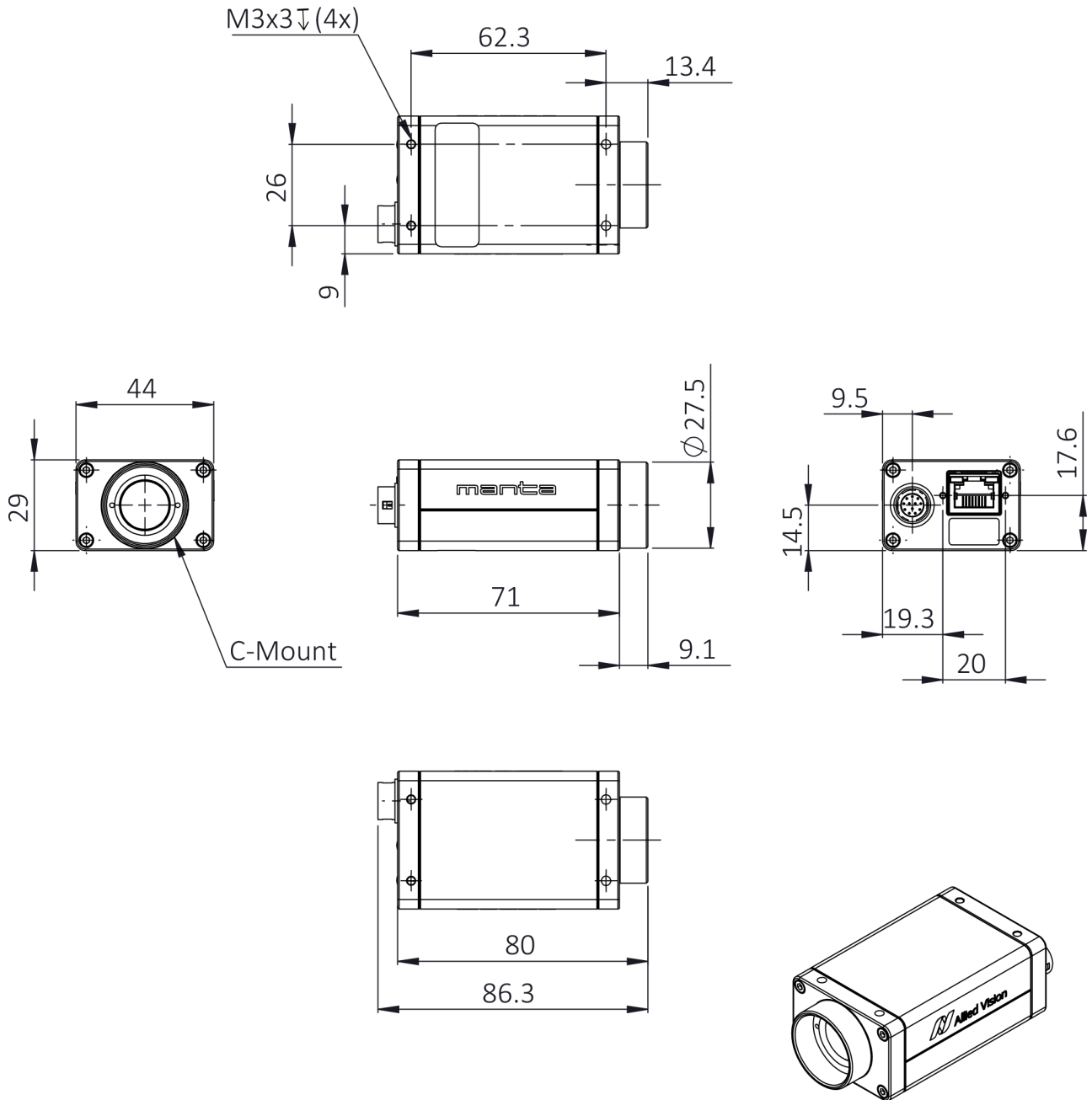
### Manta G-507B/G-507C features include:

- Precision Time Protocol (IEEE 1588)
- Camera temperature monitoring



- Video-type auto iris
- Region of interest (ROI), separate ROI for auto features
- Binning
- Decimation
- Auto gain (manual gain control: 0 to 40 dB)
- Auto exposure
- Auto white balance
- Look-up tables (LUTs)
- Gamma
- Hue, saturation, color correction (color models only)
- Reverse X/Y
- StreamBytesPerSecond (easy bandwidth control)
- Stream hold
- Sync out modes: Trigger#ready, input, exposing, readout, imaging, strobe, GPO
- Trigger over Ethernet (ToE) Action Commands
- Event channel
- Chunk data
- Storable user sets

## Technical drawing



## Applications

Manta G-507B/G-507C is ideal for a wide range of applications including:



- Machine Vision
- Broadcast analysis requiring Full HD such as sports analytics
- Industrial inspection
- Security and surveillance
- Intelligent traffic solutions (ITS), traffic (traffic monitoring, speed enforcement, toll collection)
- Low light / high sensitivity conditions
- Outdoor applications with dynamic lighting situations