

- Versatile temperature range for extreme environments
- IEEE 1588 PTP
- Power over Ethernet
- P-Iris and DC-Iris lens control

Description

5.1 Megapixel CMOS camera for outdoor imaging - GigE Vision®

Prosilica GT2460 is a 5.1 Megapixel camera with a GigE Vision compliant Gigabit Ethernet interface and Hirose port. Prosilica GT2460 is offered as monochrome or color models. This camera incorporates the high quality Sony IMX264 CMOS sensor with Pregius global shutter technology. Prosilica GT2460 is a rugged camera with a robust thermal housing that is designed to operate in extreme environments and fluctuating lighting conditions. This camera offers Precise iris lens control allowing users to fix the aperture size to optimize depth of field, exposure and gain without the need for additional control elements. It is an extended format housing camera with a standard C-Mount lens mount. By default monochrome models ship with no optical filter and color models ship with an IRC30 IR cut filter.

Benefits and features:

- Monochrome (GT2460) and color (GT2460C) models
- GigE Vision interface with Power over Ethernet
- Screw mount RJ45 Ethernet connector for industrial environments
- Supports cable lengths up to 100 meters (CAT-5e or CAT-6)
- Trigger over Ethernet (ToE) Action Commands allow for a single cable solution
- Popular C-Mount lens mount
- Standard M3 mounting holes and optional tripod adapter
- Support for popular third party image-processing libraries including Cognex, MathWorks MATLAB, and National Instruments LabVIEW

Options:

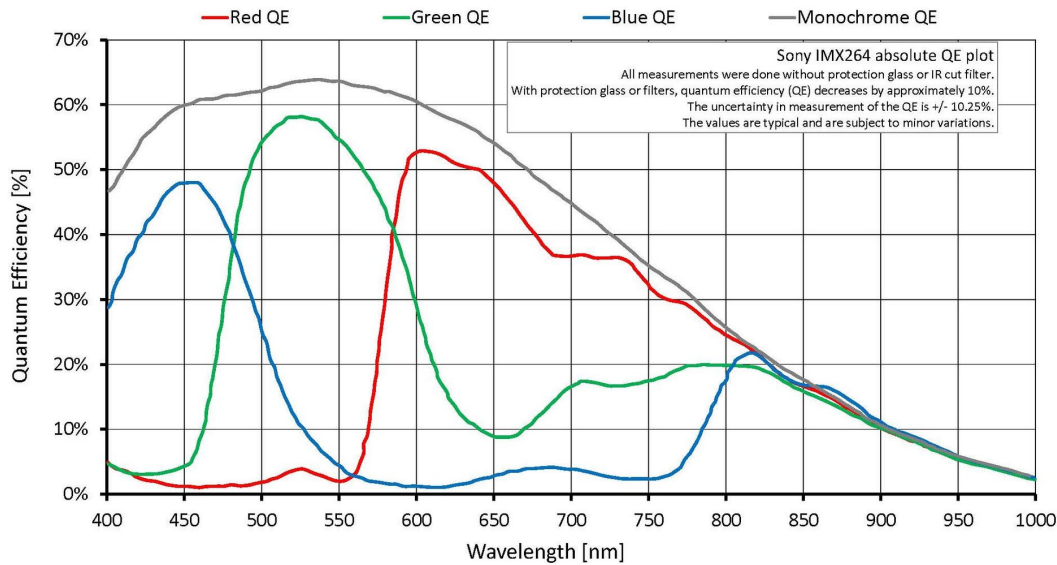
- Available with F-Mount, Birger EF-Mount, M42-Mount
- Available with IR cut filter or protection glass



See the [Modular Concept](#) for additional information on lens mount and optical filter options.

Specifications

Prosilica GT	2460
Interface	IEEE 802.3 1000BASE-T, IEEE 802.3af (PoE)
Resolution	2464 (H) × 2056 (V)
Sensor	Sony IMX264
Sensor type	CMOS
Cell size	3.45 μm x 3.45 μm
Lens mount	C-Mount
Max frame rate at full resolution	23.7 fps
ADC	12 bit
Image buffer (RAM)	128 MByte
Output	
Bit depth	12 bit
Mono modes	Mono8, Mono12, Mono12Packed
Color modes YUV	YUV411Packed, YUV422Packed, YUV444Packed
Color modes RGB	RGB8Packed, BGR8Packed
Raw modes	BayerRG8, BayerRG12, BayerRG12Packed
General purpose inputs/outputs (GPIOs)	
TTL I/Os	1 input, 2 outputs
Opto-isolated I/Os	1 input, 2 outputs
RS-232	1
Operating conditions/dimensions	
Operating temperature	-20 °C to +65 °C ambient (without condensation)
Power requirements (DC)	7 to 25 VDC; PoE
Power consumption (@12 V)	3.4 W @ 12 VDC; 4.2 W PoE
Mass	211 g
Body dimensions (L × W × H in mm)	86 × 53 × 33 (including connectors)
Regulations	CE, RoHS, REACH, WEEE, FCC, ICES



Features

Image optimization features:

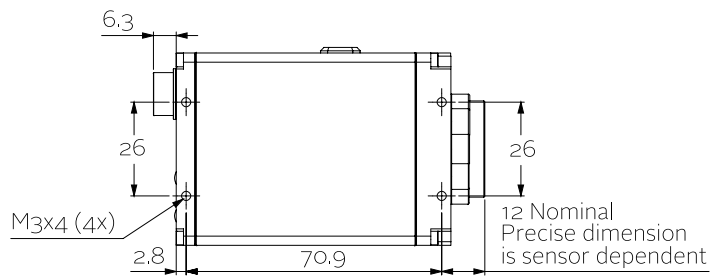
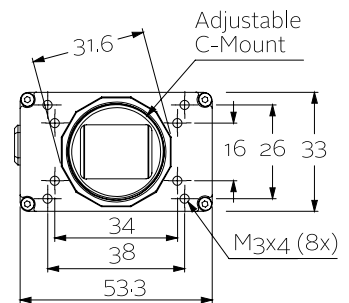
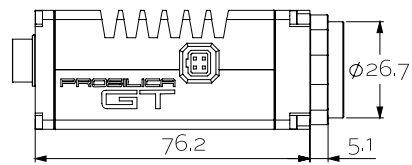
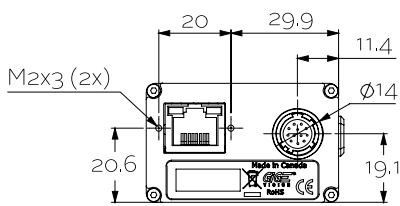
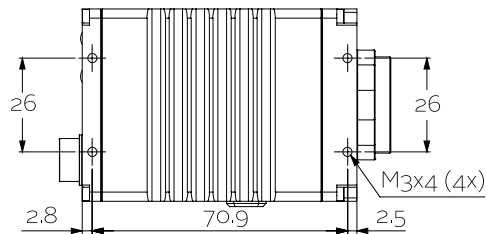
- Auto gain (manual gain control: 0 to 40 dB, 0.1 dB increments)
- Auto exposure (exposure time control varies by pixel format)
- Auto white balance (color model only)
- Binning (horizontal and vertical)
- Color correction, hue, saturation (color model only)
- Decimation X, Decimation Y
- Gamma correction
- Three look-up tables (LUTs)
- Region of interest (ROI), separate ROI for auto features
- Reverse X, Reverse Y

Camera control features:

- P-Iris and DC-Iris lens control
- Event channel
- Image chunk data
- IEEE 1588 Precision Time Protocol (PTP)
- RS232
- Storable user sets
- StreamBytesPerSecond (easy bandwidth control)
- StreamHold (up to 26 frames at full resolution)

- Sync out modes: Trigger ready, input, exposing, readout, imaging, strobe, GPO
- Temperature monitoring (main board and sensor board)
- Trigger over Ethernet (ToE) Action Commands

Technical drawing





Applications

Prosilica GT2460 is ideal for a wide range of applications including:

- Outdoor imaging
- Traffic imaging and Intelligent Traffic Systems (ITS)
- Public security and surveillance
- Industrial inspection
- Machine vision
- Military and space applications